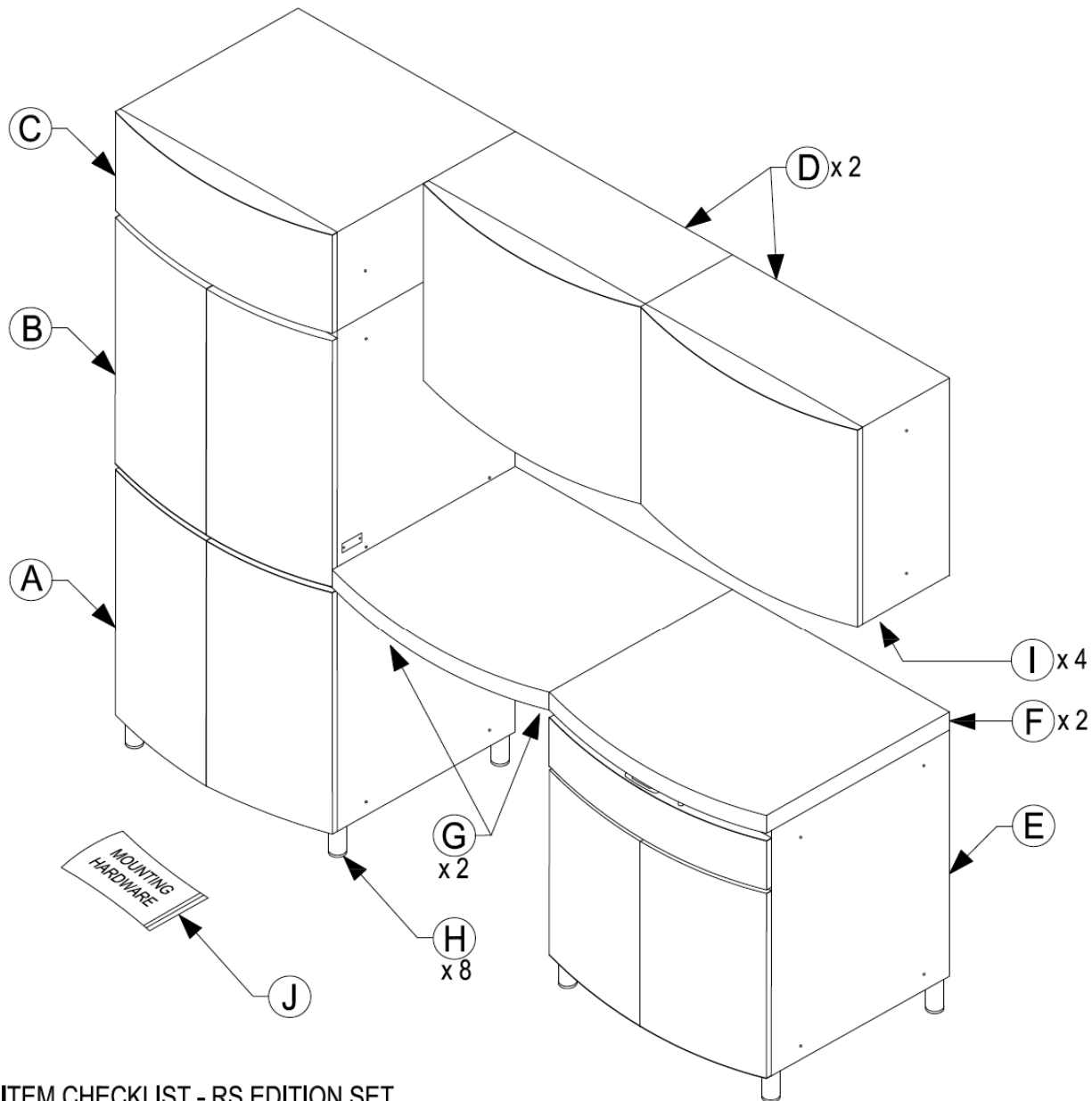


RS EDITION INSTALLATION INSTRUCTIONS / OWNER CARE MANUAL

Dear Owner, we would like to thank-you for selecting Contur for your garage cabinet requirements.

Judging by the cabinet system that you have selected, you are a person with a taste for something special and truly unique.

- Please read these instructions thoroughly prior to installation. This booklet must be kept for future reference.
- All outdoor cabinets must be installed under an awning or structure and be sheltered away from the elements.
- Due to the door curvature design, sufficient side clearance must be provided when installing cabinets next to walls.
- Gather all packaging materials and recycle wherever recycling facilities exist.



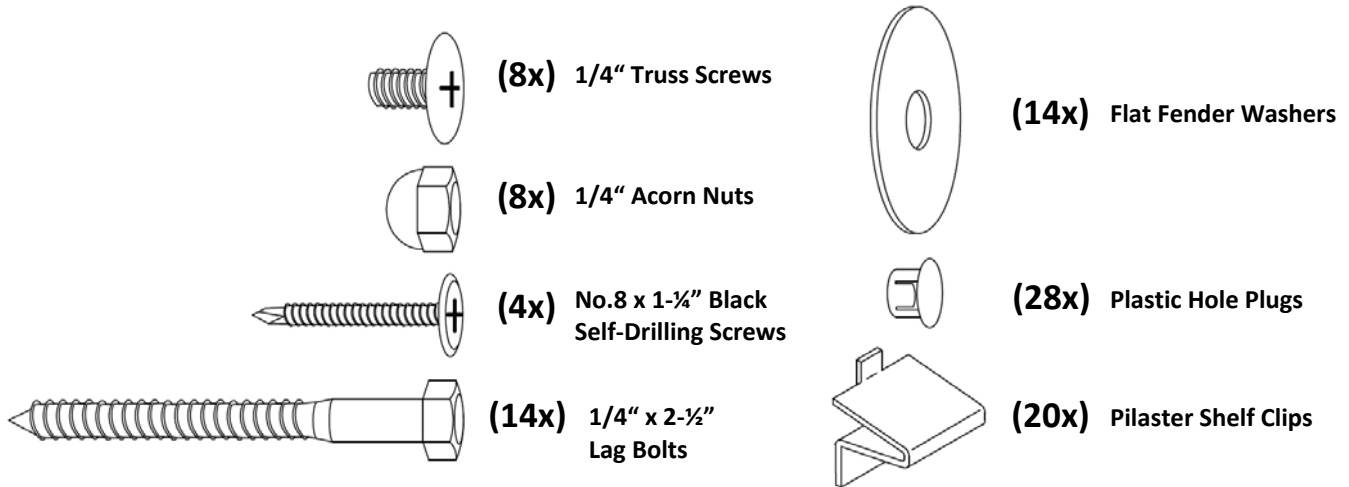
ITEM CHECKLIST - RS EDITION SET

ITEM	QTY	DESCRIPTION	BOX MRKG	ITEM	QTY	DESCRIPTION	BOX MRKG	LOCATION
A	1	DUO-KAB LOWER CABINET	DUO-KAB (B)	F	2	BUTCHER-BLOCK COUNTERTOP	CCT-BB	-
B	1	DUO-KAB UPPER CABINET	DUO-KAB (T)	G	2	COUNTERTOP SUPPORT KIT	CBR-18	INSIDE (E)
C	1	HI-KAB+KOMPACT CABINET	HI-KAB+KOM	H	8	ADJUSTABLE 4" LEG KIT (RS)	LEG4-RS	INSIDE (A,E)
D	2	HI-KAB WALL CABINET	HI-KAB	I	4	LED UNDER-CAB TASK LITE KIT	LED-CW	INSIDE (D)
E	1	LO-KOMBI CABINET	LO-KOMBI	J	1	MOUNTING HARDWARE BAG	-	INSIDE (A)

TOOLS REQUIRED:

- Cordless Drill with Medium Phillips Driver Bit
- Medium Phillips Head Screwdriver
- Ratchet Wrench with 7/16" Socket
- 1/8" & 5/32" HSS Drill Bits
- Small Flat Head Screwdriver
- Spirit Level & Stud Finder
- Tape Measure
- Lead Pencil
- 3/32" Hex Key Wrench (Drawer Adjustment)
- Hammer Drill with Masonry Bit (For installation onto concrete or masonry wall surfaces)

MOUNTING HARDWARE SUPPLIED:



1) UNPACKING CABINETS - PRE-INSTALLATION INSPECTION

Caution: Immediately discard polyethylene cabinet bag(s) upon unpacking & removal! Bag is a suffocation hazard and must be kept away from small children and/or pets.

- This cabinet set can be configured to have the workspace in either a LH or RH configuration (RH shown on image).
- It is recommended not to unpack all cartons simultaneously but rather to start the installation process by unpacking each individual module as required.
- Starting with **Module A**, cut shipping straps and remove cardboard box tray, sleeve and polystyrene corner protectors from top of cabinet. Remove polyethylene bag from cabinet and discard immediately.
- Inspect the mounting hardware bag supplied inside this cabinet and verify that all hardware is accounted for. Should there be missing hardware, immediately contact your dealer or the factory prior to installation.
- Place the box sleeve flat onto the floor. Using two or more people, carefully lift cabinet out of cardboard box tray and lay it down onto its back and onto box sleeve; to protect against scratches during installation of the adjustable leg kit.
- Do not remove the protective door film at this time. This film will act as a protection against light scratches or scuffs that may inadvertently occur during the installation process. Only once installation is complete and all adjustments are performed, should this film be removed.

2) LEG INSTALLATION

- Peel away protective blue tape from recessed finger-pull, remove key and unlock door.
- Locate box containing leg kit (**Item H**) inside cabinet. Carefully remove shelves and lay aside.
- Locate set of four (4) factory-installed rivet nuts at each bottom corner of the cabinet. Align each leg plate (included with leg kit) with the corresponding rivet nuts and attach (by hand) with the supplied 10-24 machine screws. Tighten screws firmly using medium Phillips head screwdriver. Do not use electric drill to fasten screws!
- Screw each leg onto each corresponding mounting plate. Hand tighten leg firmly.
- Carefully lift cabinet upright and place into installation position. Avoid dragging the cabinet with mounted legs on floor. To raise corner height of cabinet, turn adjustment knob on corresponding leg clockwise (Facing top of leg). Turn adjustment knob counter-clockwise to lower. Use spirit level for accurate levelling of cabinet.

3) DUO-KAB ASSEMBLY

- a) Locate **Module B** and remove packaging (see step 1).
- b) Using two or more persons, turn cabinet upside down, lift and carefully place on top of cabinet Module A.
- c) Peel away protective blue tape from recessed finger-pull, remove key and unlock door.
- d) With one person securing the top cabinet in place, open the two doors of the top cabinet and locate the four (4) mounting holes within the top cabinet channel frame. Verify that these holes are aligned with bottom cabinet channel frame and install four (4) Truss screws with Acorn nuts. Finger-tighten screws/nuts at this time.
- e) Verify that both cabinets have flush surfaces on all 4 sides. Adjust if required. Using a Phillips screwdriver and a ratchet wrench with a 7/16" socket, firmly tighten all four Truss screws and Acorn nuts.

4) TOP-MOUNTING HI-KAB+ KOMPACT MODULE TO DUO-KAB

- a) Using a stud finder and lead pencil, mark exact center position of vertical wall studs where cabinet is to be installed.
- b) Locate **Module C** and remove packaging (see step 1).
- c) With Module C resting on the four polystyrene corner packaging protectors, open overhead door and drill one (1) 5/32" hole completely through at each bottom corner of cabinet floor. Remove all burrs from holes.
- d) Remove (2x) vinyl light hole caps from bottom of module (if so equipped).
- e) Mount Module C on top of assembled DUO-KAB. Verify that all four sides of Module B & C cabinets are flush. Using an electric drill and Phillips driver bit, install four (4) Black Self-Drilling screws through drilled holes and into top of DUO-KAB module. Do not over tighten screws so as to avoid distortion of cabinet floor.
- f) Locate the penciled locations of the stud wall centers. Mark desired location of holes to be drilled using the perforated slots at the cabinet back as a template. Use an electric drill with a 5/32" drill bit to pre-drill wood studs. By pre-drilling the wood studs, there is less likelihood of the wood studs splitting when fastening the lag bolts.
- g) Using the two (2) Lag bolts and Fender washers, attach cabinet to wall by driving the Lag bolts through the perforated slots and into the wall studs with a ratchet wrench and 7/16" socket. Fully tighten Lag bolts.

5) MOUNTING HI-KAB MODULES TO WALLS

Caution: Tipping Hazard! Prior to installing and due to the heavy weight of the overhead door, exercise extreme caution when opening. Failure to observe this procedure may result in injury and/or damage to cabinet!

- a) Using a stud finder and lead pencil, mark exact center position of vertical wall studs where cabinets are to be installed.
- b) Locate both **Modules D** and remove all packaging (see step 1).
- c) Remove LED under-cabinet task lite kit & shelves from both modules.
- d) Open cabinet doors of Module C and Module D. Using two or more persons, lift cabinet into installation position while one person installs a Truss Screw through the upper rear twinning hole of Modules C & D. Secure with an Acorn Nut and finger tighten.
- e) Locate the penciled locations of the stud wall centers. Mark desired location of holes to be drilled using the perforated slots at the cabinet back as a template. Use an electric drill with a 5/32" drill bit to pre-drill wood studs.
- f) Using the two (2) lag bolts and fender washers, attach cabinet to wall by driving the lag bolts through the upper perforated slots and into the wall studs with a ratchet wrench and 7/16" socket. Do not fully tighten lag bolts at this time.
- g) Using a spirit level, verify that the Module D is level & fully tighten all Lag bolts to wall. Use care not to over-tighten bolts which may damage or deform the cabinet back on any uneven wall surfaces.
- h) Repeat above procedure for 2nd Module D. Install two Truss screws through both twinning holes. Secure with two Acorn nuts and finger tighten.
- i) Verify door operation of both Modules D so that there is no interference between each door, as well as with the cabinet chassis of Modules B & C. If necessary, shim rear & sides of Modules D with wood shims or other suitable material to align cabinet doors. Further alignment can be achieved by adjusting the door hinges (see step 7). Fully tighten all Truss screws and Acorn nuts at this time.
- j) Install LED under-cabinet task lighting kit **Item I** onto Modules D. Refer to the instruction sheet included with kit.

Note: Mounting wall must be straight and plumb. This procedure is intended for wall-mounting a cabinet to a wood-studded wall. If metal studs are present, do not wall-mount cabinet until adequate stud and wall reinforcement is achieved by a skilled and qualified carpenter. For wall-mounting to concrete or masonry walls, only the use of approved lag bolts with concrete shields or masonry anchors are recommended. Follow the manufacturer's instruction sheet accompanying the concrete shields and/or masonry anchors. **Do not use simple concrete or masonry screws to install cabinet to wall!**

6) LO-KOMBI LEG & COUNTERTOP INSTALLATION

- a) Locate **Module E** and remove packaging (see step 1).
- b) Locate box containing leg kit (**Item H**) inside cabinet.
- c) Carefully remove shelf and Countertop Support kit (**Item G**) and lay aside.
- d) Install all four legs on cabinet (see step 2).
- e) Using a tape measure and lead pencil, measure 30-1/8" from edge of Duo-Kab (Module A) and mark this dimension on wall. Place Module E into position against wall with cabinet leading edge on marked line. Unpack and install countertop support kit **Item G** onto Modules A & E by using two Truss screws through both upper twinning holes on each side. Secure with Acorn nuts and finger tighten at this time.
- f) Using a stud finder and lead pencil, mark exact center position of vertical wall studs where cabinet is to be installed.
- g) Mark desired location of holes to be drilled using the perforated slots at the cabinet back as a template. Use an electric drill with a 5/32" drill bit to pre-drill wood studs.
- h) Using the four (4) Lag bolts and Fender washers, attach cabinet to wall by driving the Lag bolts through the perforated slots and into the wall studs with a ratchet wrench and 7/16" socket. Do not fully tighten lag bolts at this time.
- i) Unpack both countertops **Items F** and carefully lay bottom of one countertop on top of Module E. Lay the second countertop on top of countertop support brackets. Manually position both countertops and adjust Truss screws and Acorn nuts on countertop support brackets to raise or lower countertop for proper alignment. Firmly tighten all four Truss screws and acorn nuts.
- j) Using a spirit level, verify that Module E is level & fully tighten all lag bolts to wall. Use care not to over-tighten bolts which may damage or deform the cabinet back on any uneven wall surfaces.
- k) If there is a noticeable gap between countertops and/or between countertop and Module B, slightly loosen lag bolts on Module E and carefully move Module E to the left or right side for best fit. Retighten all four Lag bolts firmly.
- l) Carefully remove countertops and lay aside. Ensure that all surfaces are clean and free of dust, oil or grease. Locate both tubes of adhesive shipped inside the countertop packaging. It is recommended that the adhesive be used at room temperature for a strong bonding.
- m) Using pointed tip on cap, pierce tube head and apply a medium-sized bead of adhesive to the inner perimeter of the cabinet channel frame top. Carefully lay countertop on top of the cabinet channel frame. Contoured front edge must face forward. Adjust countertop into an aligned position with cabinet door/drawer front & back wall. Shim stock may be used to adjust the corner height(s) of each countertop (if required). Repeat procedure for 2nd countertop. Prior to the adhesive fully curing, position all countertops so that gaps are minimized and countertops are all flush.
- n) Allow 24 hours for adhesive to fully cure at room temperature. Do not manipulate, lean on or displace countertops until adhesive has fully cured. If required, excess adhesive can be trimmed with a sharp knife once fully cured.
- o) Fully tighten all Lag bolts & Truss screws on all cabinet modules at this time.
- p) If countertops are to be removed at a later date, the use of an extended x-acto knife can be used to separate the countertop from the cabinet top.

Note: All cabinets come with pre-punched twinning holes on opposite sides for easy module alignment & to maintain cabinet stability. It is imperative that cabinets be joined together as this will combine structural integrity of the cabinets as a complete set and will eliminate potential sagging and misalignment. Once twinning is complete, cap the unused twinning holes on each of the end cabinets with the plastic hole plugs.

7) ADJUSTMENT & ALIGNMENT OF CABINET DOORS

All cabinet doors & drawers have been pre-adjusted & pre-aligned at our factory. Severe vibration during transport as well as variance in sloped floors may affect the alignment of doors & drawers. If so, follow the directions below for adjustment procedure.

Door Alignment:

- a) To access adjustment screws, remove hinge arm trim cap by carefully prying a small flat head screwdriver between hinge arm and trim cap until cap pops off.
- b) For horizontal (side-to-side) adjustment, use a Phillips screwdriver to turn the center screw on hinge arm clockwise (inwards door displacement) or counter-clockwise (outwards door displacement). Repeat procedure for other hinges on the same door.
- c) For vertical (up or down) adjustment, turn center screw on hinge plate clockwise or counter-clockwise.
- d) For depth (inwards or outwards) adjustment, turn end screw on hinge plate clockwise or counter-clockwise.
- e) Replace hinge arm trim cap by aligning mounting tabs over hinge arm aperture and snap into place.

8) ADJUSTMENT & ALIGNMENT OF CABINET DRAWER

Drawer Alignment:

- a) To access adjustment screws, push lightly on drawer to activate push-to-open feature. Fully extend drawer.
- b) Using a 3/32" Hex Key Wrench, slightly loosen all five (5) hex screws inside drawer that attach drawer panel to drawer box (LO-KOMBI-2/LO-GLIDE-5/LO-GLIDE-6 modules with 3-inch drawers have three (3) hex screws). Do not loosen the hex screws on drawer front panel flanges. These screws are for panel replacement only.
- c) Gently close door by activating the push-to-close feature. Grasp side edges of the drawer panel and manually align with edges of neighbouring cabinet door/drawer until properly adjusted and all gaps are visually even.
- d) Gently open the drawer and firmly tighten all hex screws. Repeat procedure for other drawers (if applicable).

9) ADJUSTABLE SHELF INSTALLATION & USE

- a) Determine the desired height of your adjustable shelf within the cabinet interior. There are pre-punched slots at ½" increments located at each inside corner of the cabinet interior.
- b) Install supplied pilaster shelf clips at desired height by angling the top tab of each shelf clip into the desired slot and lowering clip until bottom tab snaps into slot. Repeat this procedure at all four corners of the cabinet.
- c) Once all shelf clips are firmly in place, place shelf into cabinet and onto the shelf clips. Verify that the shelf is level and corners do not rock. Adjust height of shelf clips as required.
- d) Shelf load capacity for base cabinets is load-rated for 100 lbs, 50 lbs for wall cabinets. Load-rating is a term used to describe the maximum allowable static weight for a given component. When loading your shelf, distribute unusually heavy loads equally among the shelf surface. By following this procedure, you will reduce potential shelf deflection and avoid dangerous mishaps that can occur by typically overloading shelves.

10) REMOVAL & RE-MOUNTING OF CABINET DOOR

Door Removal:

- a) Using masking tape and a pencil or marker, identify and mark each door. (ex: A-Left, A-Right, B-Left, B-Right, etc...)
- b) Remove all hinge arm trim caps on door hinges by carefully prying a small flat head screwdriver between hinge arm and trim cap until cap pops off.
- c) Open cabinet door halfway at an approximate 45° angle.
- d) While firmly grasping door with one hand and starting with the bottom hinge, push down on release tab at back of hinge arm and swivel hinge away from hinge plate. Repeat procedure for other hinges.
- e) Carefully lift door away from cabinet exercising extreme caution not to scratch painted surfaces with exposed hinges. Temporarily store the door face up and away from your work area. Do not stack doors on top of each other.

Door Re-Mounting:

Verify that all hinges are in a fully-closed position on door. Re-install each corresponding door onto cabinet in reverse sequence of above.

11) REMOVAL & RE-MOUNTING OF CABINET DRAWER

Caution: Tipping Hazard! Do not open all drawers simultaneously. This may result in tipping of cabinet!

Drawer Removal:

- a) Gently push on drawer panel to activate push-to-open feature. Open drawer to fully extended position.
- b) Empty any drawer contents prior to removing drawer. If removing two or more drawers, designate a number for each drawer by marking a small piece of paper and placing it inside each corresponding drawer box. This procedure will ensure that the drawer boxes are re-installed in their original location, eliminating the need for re-alignment.
- c) Locate release tabs on each side of drawer slides. Grasp drawer box sides with both hands and using index fingers, push each release tab in the direction of the arrow; as marked on the inner slide. Gently pull drawer outwards and away from cabinet in an even and linear motion. Note: LH drawer slide will require the release tab to be pushed in an upwards direction while the RH drawer slide will require the release tab to be pushed in a downwards direction.
- d) Push extended cabinet inner slides back into cabinet in order to prevent injury. Repeat procedure for all other drawers.

Drawer Re-Mounting:

- a) Pull left & right retracted cabinet inner slides out of cabinet slide track. Do one drawer at a time.
- b) Hold drawer box steady with both hands and align drawer box slides with cabinet inner slides. Push gently inwards in an even and linear motion until both slides engage and an audible "click" is heard on each side. Verify that operation of the drawer is smooth and non-binding by fully opening and closing several times.
- c) Repeat procedure for all other drawers (if applicable).
- d) Adjust & Align drawers if necessary (Refer to Step 8).

12) LOCKING/UNLOCKING YOUR CABINET DOOR AND/OR DRAWER

Note: On LO-GLIDE & LO-KOMBI cabinet modules, only the top drawer is lockable. Exercise care and good judgment when storing hazardous chemicals, firearms or other dangerous items inside any lockable cabinet.

Unlocking:

- a) To unlock your base cabinet door or drawer, hold key by key handle with Contur logo facing upwards.
- b) Fully insert flat portion of key into key slot and rotate 90° towards the right.
- c) Once cabinet door or drawer is unlocked, key can be removed from the lock or can be stored in this “parked” position.

Locking:

- a) To lock your base cabinet door or drawer, hold key by key handle with Contur logo facing upwards.
- b) Fully insert flat portion of key into key slot and rotate 90° towards the left.
- c) Once cabinet door or drawer is locked, the key can be removed from lock.

13) CLEANING & CARE FOR YOUR CONTUR CABINET & ACCESSORIES

Painted Door/Drawer Panels:

- Clean all painted cabinet surfaces using a sponge with a mild dish soap and warm water solution. Dry thoroughly using a microfiber cloth or suitable automotive drying cloth. DO NOT use abrasive or harsh chemical cleaners such as glass cleaners, solvent-based cleaners and/or furniture polish on painted surfaces.
- All Contur painted door and drawer front panels are coated with a durable high-gloss powder-coat finish. However, from time-to-time small scratches or scuffs may appear on these surfaces as a normal course of wear. We suggest the use of a quality automotive-grade polish and wax when encountering these issues. Applying wax to your painted door and drawer fronts will greatly reduce unsightly fingerprints while enhancing the gloss finish. Do not apply wax to the black textured painted surfaces of the cabinet or door/drawer back panel as a white-colored wax residue may result. If wax is accidentally applied to any textured surface, allow to dry and use a soft-bristle toothbrush to remove. Apply & remove wax by hand. Do not use powered buffing tools to either apply or remove wax onto door panels!

Stainless-Steel Surfaces - Door/Drawer Panels & Countertops:

Stainless-Steel care requires patience and diligence. Spending a few extra minutes to clean and polish your stainless-steel cabinet doors and countertops will result in a stunning and lasting finish and will reduce unsightly fingerprints. Always clean stainless-steel surfaces in the direction of the brushed grain. On stainless-steel cabinet door & drawer fronts, spray cleaner sparingly on surface and wipe vertically (up & down). On stainless-steel countertops, wipe horizontally (left-to-right). We recommend the following stainless-steel care products to be used on your stainless-steel cabinet doors and countertops:

- 3M Stainless-Steel Cleaner & Polish, Part No. 14002
- ZEP Stainless-Steel Polish, Part No.0143

Maple Butcher Block Countertops:

Caution: Do not attempt to stain or oil your maple butcher block countertop!

Your maple butcher block countertop has been coated using an advanced Durakryl 102 clear finish and does not require staining, oiling or maintenance. This finish leaves an inert film on the surface and possesses excellent resistance to most household chemicals. Clean and dry the countertop like you would any wood surface using a warm soapy water mixture, not allowing water to remain for any length of time. To remove stains, use finger nail polish remover or bleach. As the finish is durable, it may scratch so exercise caution when using sharp objects on or near your countertop.

Drawer Maintenance:

To ensure smooth drawer operation, periodically lubricate slides with a small dab of petroleum jelly (ex: Vaseline).

14) THE “CONTUR PROMISE” LIMITED LIFETIME WARRANTY

Please visit our website for warranty information on our products: http://conturcabinet.com/EN/contur_promise.htm